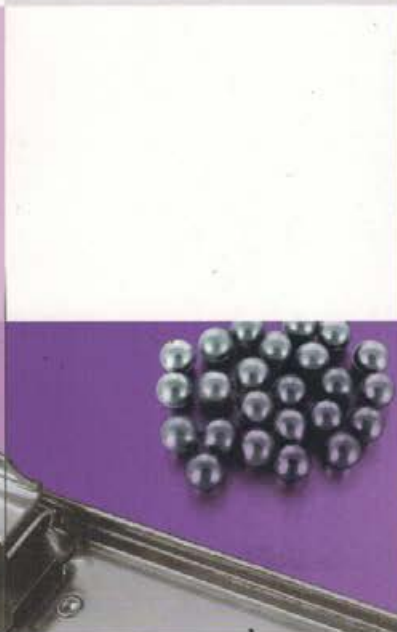
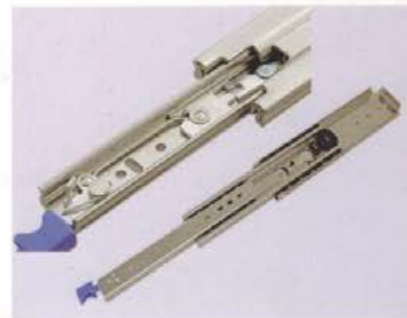
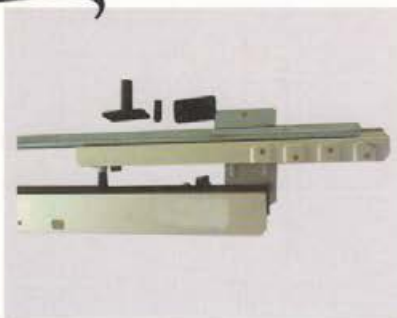


**Waliton**<sup>®</sup>  
万利亨通

万利亨通·专业滑轨制造商

[www.w-slide.com](http://www.w-slide.com) [www.sh-abc.com](http://www.sh-abc.com) [www.waliton.com.cn](http://www.waliton.com.cn)



**Waliton**

Professional Slide  
Manufacturer

领先的品质，铸就信赖，令万利亨通走向世界！

Leading quality, Builds up reliance, Waliton moves toward the world!

PRODUCT MANUAL



## Company Profile 公司简介

广东惠州市万利亨通五金制品有限公司为专业生产制造各类滑轨厂家，订制各类滑轨有：餐桌滑轨、餐桌跳台滑轨、自动升降餐桌滑轨、重型餐桌滑轨、铝合金餐桌滑轨、铝合金多节餐桌滑轨、双排滑轨、双层双向滑轨、不锈钢走珠导轨、重型三节滑轨、重型二节滑轨、机箱导轨、合叶滑轨、隐藏式缓冲滑轨、内滑式滑轨、穿衣镜滑轨、方块滑轨、电子滑轨等，其产品广泛应用于板式、木制以及组合家具中的卧室家具滑轨系列、客房家具滑轨系列、餐厅家具滑轨系列、厨柜滑轨系列，办公家具滑轨系列、书房家具滑轨系列，并用于医疗器械、电子设备外壳、工业设备、汽车座椅、家用电器等行业、机架式服务器、机架式电信设备、复印机、电脑机箱、显示器、重型抽屉、收银机、工具箱、自动取款机、冷冻柜、电烤炉架、垃圾箱柜、葡萄酒冷却柜等各种需抽拉的物件上。

本厂引进先进的生产设备及技术，采用进口钢材和成熟的工艺制造，致力于为客户提供优质的产品和服务，产品质量符合国际和行业标准，产品远销欧美、中东、日本等多个地区和国家的。

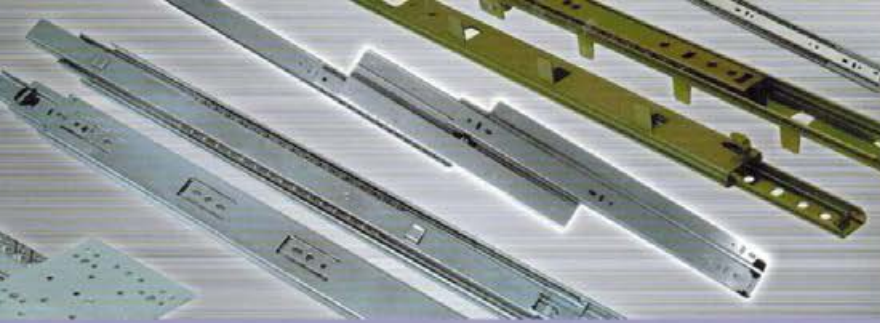
竭诚欢迎广大客商精诚合作，携手共进。

Huizhou Walton Hardware Co., Ltd. specializes in manufacturing ball bearing slides. Our products are widely used in steel, board and wooden furniture, and in combination furniture of bedroom series, guest-room series, dining-room series, office series, study series, and in various items needing drawing and pulling.

Our factory has introduced into most up-to-date production equipment and exquisite technology, and adopted imported cold rolled steel and galvanized steel materials. We devote ourselves to providing high quality products and services for customers. The product quality lives up to the international and the same trade standards. We are selling our products mainly to Europe, America, the Middle East, and Japan; buyers from other parts of the world are also welcome.

We will sincerely cooperate with our broad customers and advance together with them.





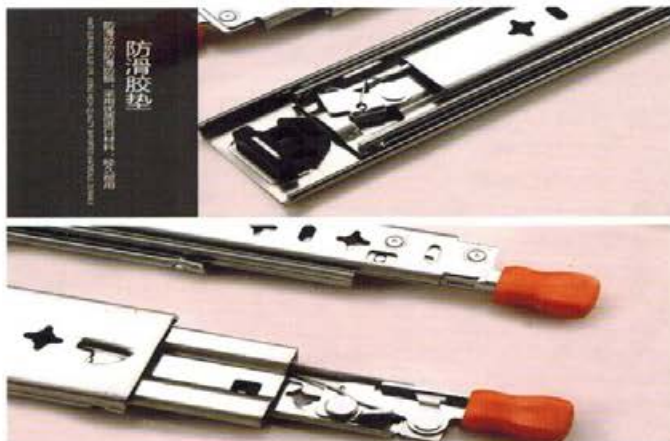
# WALITON SLIDE

Professional Slide Manufacturer





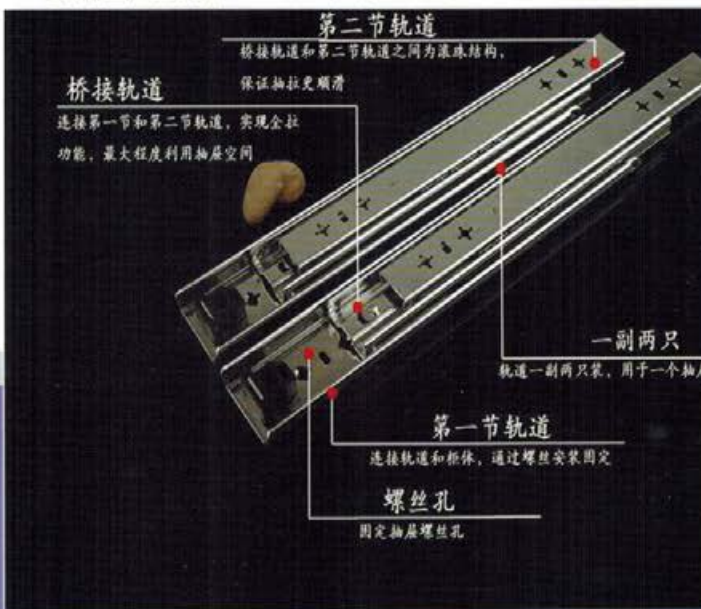
重型58宽工业导轨



重型76宽工业导轨



缓冲胶垫, 缓慢闭合 外、中、内轨都加厚 防脱装置, 随意抽拉



第二节轨道

桥接轨道和第二节轨道之间为滚珠结构, 保证抽拉更顺滑

桥接轨道

连接第一节和第二节轨道, 实现全拉功能, 最大程度利用抽屉空间

第一节轨道

连接轨道和柜体, 通过螺丝安装固定

螺丝孔

固定抽屉螺丝孔

一副两只

轨道一副两只装, 用于一个抽屉



# WALITON SLIDE

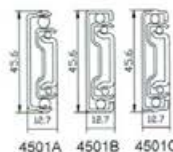
Professional Slide Manufacturer

WLT-45017 侧板式挂篮全抽出滑轨

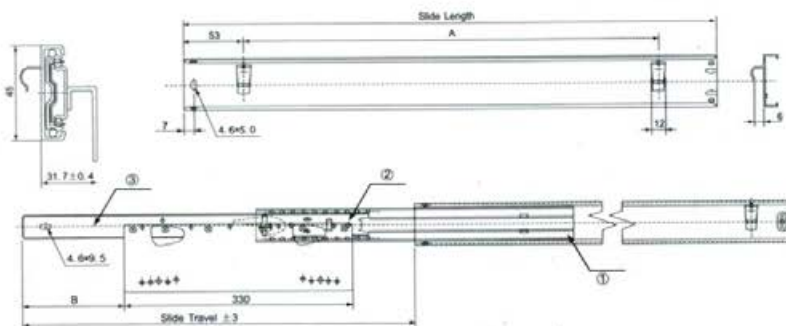
WLT-45017 Thicker Support Full Extension Drawer Slide

拉伸长度: 100%或加长  
 承 重: 100LBS,45KG(18")  
 尺 寸: 250-800mm  
 表面处理: 镀锌、电着黑、彩锌  
 特 点: "32mm" 孔位, 可拆式滑轨  
 用 处: 办公家具, 厨具和家具抽屉

Extension: 100% or over travel  
 Load rating: 100LBS,45K@ (18")  
 Size: 250-800mm  
 Finish: Clear Zinc, Yellow Zinc, Black Electric Dipping  
 Features: "32mm" hole system, With trigger release disconnect for easy drawer removal.  
 Application: Office drawers, Kitchen Cabinets and home room drawers.



Thickness Range	
序号	材料厚度
①	1.2 1.0 1.2
②	1.2 1.0 1.2
③	1.4 1.2 1.2



WLT-45003



WLT-45001



WLT-45003B



WLT-45009



WLT-45010A



WLT-45010B



WLT-45002



WLT-45018

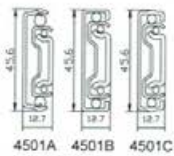


WLT-45020A 全展带缓冲滑轨

WLT-45020A Full Extension Soft-closing slide

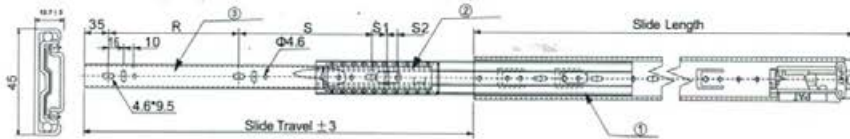
Thickness Range

序号	材料厚度
①	1.2 1.0 1.2
②	1.2 1.0 1.2
③	1.4 1.2 1.2



拉伸长度: 100%或加长  
 承 重: 100LBS,45KG(18")  
 尺 寸: 250-800mm  
 表面处理: 镀锌, 电着黑, 镀彩锌  
 特 点: "32mm" 孔位, 可拆式滑轨  
 用 处: 办公家具, 厨具和家具抽屉

Extension: 100% or over travel  
 Load rating: 100LBS,45KG(18")  
 Size: 250-800mm  
 Finsh: Clear Zinc, Yellow Zinc, Black Electric Dipping  
 Features: 32mm hole system, With trigger release disconnect for easy drawer removal  
 Application: Office drawers, Kitchen Cabinets and homeroom drawers.



WLT-45019A  
自锁滑轨 Self closing slide



WLT-45019B  
自锁滑轨 Self closing slide



WLT-45020B  
缓冲滑轨 Soft closing slide



WLT-45021  
反弹滑轨 Push-to-open slide



WLT-45022



WLT-45023



WLT-45027



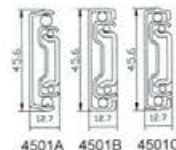
WLT-45028

WLT-45027 侧板式挂篮全抽出滑轨

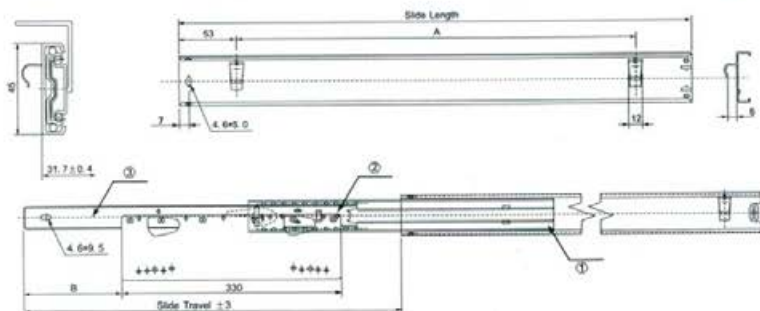
WLT-45027 Thicker Support Full Extension Drawer Slide

拉伸长度: 100%或加长  
 承 重: 100LBS,45KG(18")  
 尺 寸: 250-800mm  
 表面处理: 镀锌、电着黑、彩锌  
 特 点: "32mm" 孔位, 可拆式滑轨  
 用 处: 办公家具, 厨具和家具抽屉

Extension: 100% or over travel  
 Load rating: 100LBS,45KG(18")  
 Size: 250-800mm  
 Finish: Clear Zinc, Yellow Zinc, Black Electric Dipping  
 Features: "32mm" hole system, With trigger release disconnect for easy drawer removal.  
 Application: Office drawers, Kitchen Cabinets and home room drawers.



Thickness Range			
序号	材料厚度		
①	1.2	1.0	1.2
②	1.2	1.0	1.2
③	1.4	1.2	1.2



WLT-45030



WLT-45031



WLT-45032



WLT-45033



WLT-45029  
缓冲滑轨 Soft closing slide



WLT-45011  
缓冲滑轨 Soft closing slide



WLT-45016



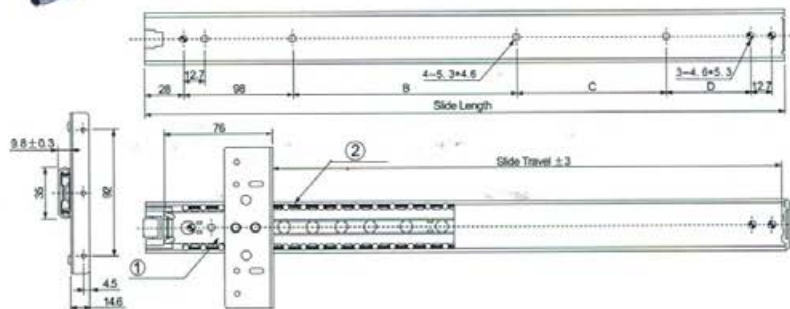
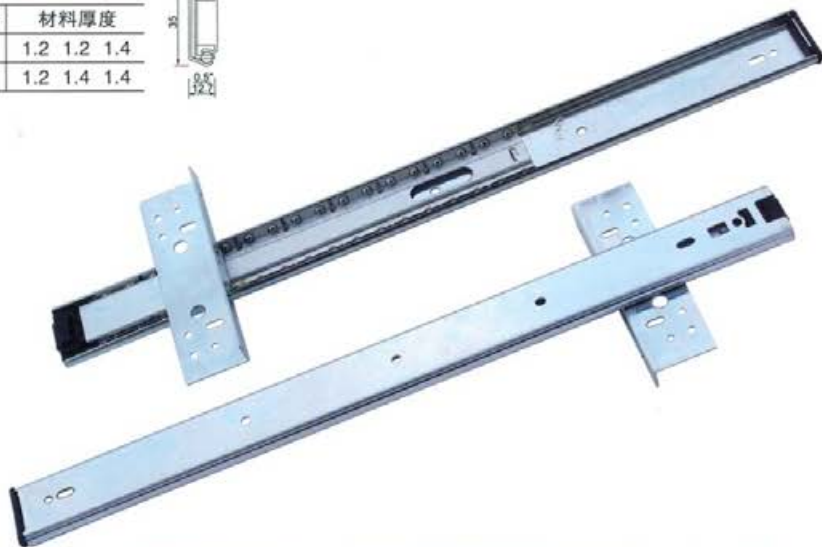
WLT-45034



WLT-35004 贮藏柜门滑轨

Thickness Range

序号	材料厚度
①	1.2 1.2 1.4
②	1.2 1.4 1.4



WLT-35004 Pocket Door Slide

承 重: 33LBS,15KG(18")

尺 寸: 250-700mm

材 质: 冷轧板

表面处理: 镀锌、电着黑、彩锌

特 点: 抽出柜门可以上抛或侧抛, 安装里需加连杆保证每副滑轨滑动同步。

用 处: 娱乐柜、文件柜及贮藏柜的隐藏式门。

Load rating: 33LBS,15KG(18")

Size: 250-700mm

Material: Hardened cold rolled steel

Finish: Clear Zinc, Yellow Zinc, Black Electric Dipping

Features: Over top or side open Pocket door slide install With wooden strip to make sure every slide move together.

Application: Concealed door on Entertainment centers, file and storage system.



WLT-35007



WLT-35009



WLT-35003



WLT-35027



WLT-35020B



WLT-35019A



WLT-35020A



WLT-35019B



WLT-35017 双排滑轨

WLT-35017 Heavy Duty Full Extension File Drawer Slide

拉伸长度: 100%或加长  
 承 重: 132LBS,60KG(18")  
 尺 寸: 250-700mm  
 材 质: 高张力冷轧板  
 表面处理: 镀锌、电着黑、彩锌  
 特 点: 抽屉可全拉出, 外轨滑行同步  
 用 处: 厨具, 办公及家用抽屉

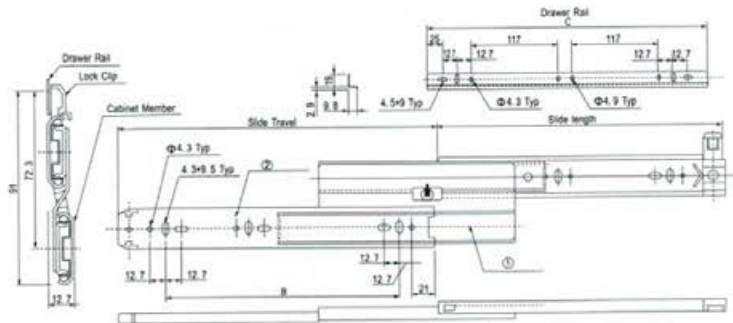
Extension: 100% or over travel  
 Load rating: 132LBS,60KGS(18")  
 Size: 250-700mm  
 Material: Hardened cold rolled steel  
 Finish: Clear Zinc, Yellow Zinc, Black Electric Dipping  
 Features: Full drawer travel with lift off disconnect utilizing mounting rail system. Rails move synchronously.  
 Application: Kitchen furniture, office or home furniture drawer



Thickness Range	
序号	材料厚度
①	1.2 1.2 1.4
②	1.2 1.4 1.4



WLT-35015



WLT-35027-2



WLT-35032



WLT-35022



WLT-35030



WLT-35033-2



WLT-35035



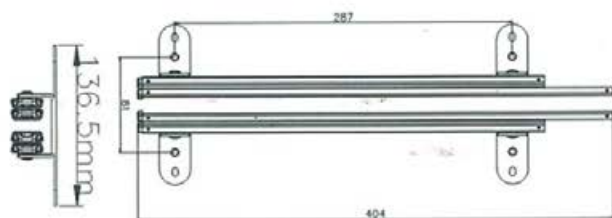
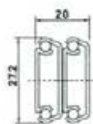
WLT-35031  
缓冲滑轨 Soft closing slide



WLT-27010 裤架滑轨/飞机滑轨

Thickness Range

序号	材料厚度
①	1.2 1.0
②	1.2 1.0



WLT-27010 Trouser Rack Slide

拉伸长度: 100%或加长

承 重: 15KG

尺 寸: 250-600mm

材 质: 冷轧板或镀锌板

表面处理: 镀锌、电着黑、镀彩锌

特 点: 安装方便, 且充分利用空间

用 处: 用于西裤架, 办公家具, 橱柜, 机械设备等。

Extension: 100% or over travel

Load rating: 15KG

Size: 250-600mm

Material: hardened cold rolled steel

Finish: Clear Zinc, Yellow Zinc, Black Electric Dipping

Features: Easy installation, fully use of wardrobe space

Application: Trouser rack, shoe rack etc



WLT-35036



WLT-35040



WLT-35041



WLT-36030



WLT-39005



WLT-35008



WLT-35016



WLT-27015  
自锁滑轨 Self closing slide®

## WLT-27005 双拉滑轨

拉伸长度: 75%  
 承 重: 33LBS, 15KG  
 尺 寸: 250-600mm  
 材 质: 冷轧板  
 表面处理: 镀锌、电着黑、彩锌  
 特 点: 32mm系列孔位, 抽屉放在固定的翻耳上更安全。  
 用 处: 餐柜, 卧室及餐厅系列柜的抽屉

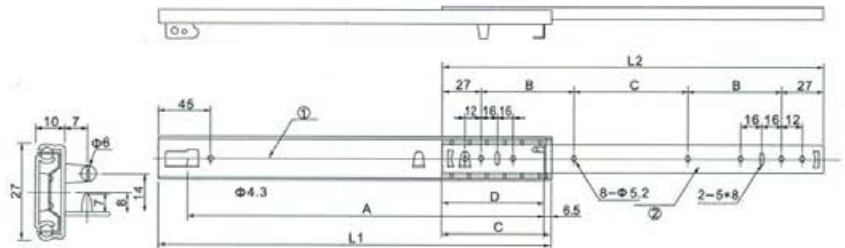
Extension: 75%  
 Load rating: 33LBS, 15KG \*  
 Size: 250-600mm  
 Material: Hardened cold rolled steel  
 Finish: Clear Zinc, Yellow Zinc, Black Electric Dipping  
 Features: 32mm hole system, Drop on mounting can be secured with mounting for permanent mounting.  
 Application: Kitchen cabinets, bedroom and dining room cabinets.

## WLT-27005 Double Extension Slide



Thickness Range

序号	材料厚度
①	1.0 1.2
②	1.0 1.2



WLT-27006A



WLT-27009-2  
弹片滑轨 Shrapnel slide



WLT-27007



WLT-27008



WLT-27009-1  
弹片滑轨 Shrapnel slide



WLT-27006B



WLT-27012A



WLT-27012B



WLT-27024 单拉挂钩滑轨

WLT-27024 Single Extension Bottom Mount Slide

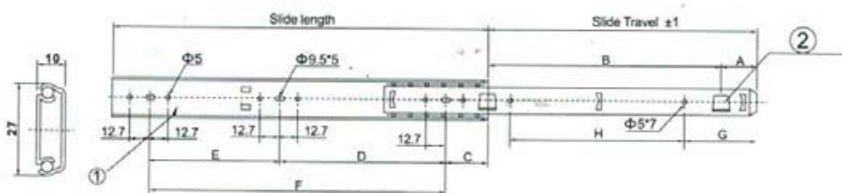
Thickness Range

序号	材料厚度
①	1.0 1.2
②	1.0 1.2



拉伸长度: 75%  
 承 重: 33LBS,15KG  
 尺 寸: 200-500mm  
 材 质: 冷轧板  
 表面处理: 镀锌、电着黑、彩锌  
 特 点: 32mm系列孔位, 可装在抽屉底部  
 用 处: 浅抽屉, 拉式托盘和键盘抽。

Extension: 75%  
 Load rating: 33LBS,15KG  
 Size: 200-500mm  
 Material: Hardened cold rolled steel  
 Finish: Clear Zinc, Yellow Zinc, Black Electric Dipping  
 Features: 32mm hole system, simple bottom mounting tabs.  
 Application: Shallow desk drawers, Computer keyboard trays and pull out trays.



WLT-27013



WLT-27001



WLT-27018



WLT-27023



WLT-27009-3  
 弹片滑轨 Shrapnel slide



WLT-27017



WLT-27025



WLT-27003

WLT-17015 双层单拉滑轨

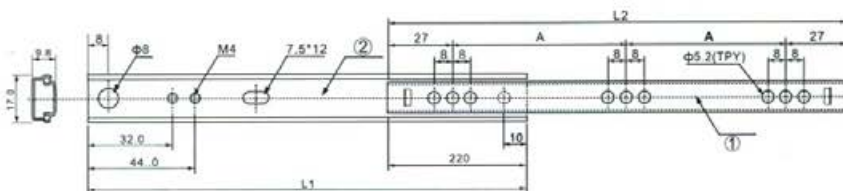
WLT-17015 Doule Single extension slide

拉伸长度: 100%  
 承 重: 33LBS,15KG  
 尺 寸: 200-500mm  
 材 质: 冷轧板  
 表面处理: 镀锌、电着黑、镀锌  
 特 点: 32mm系列孔位, 可装在抽屉底部  
 用 处: 浅抽屉, 拉式托盘和键盘抽

Extension: 100%  
 Load rating: 33LBS,15KG  
 Size: 200-500mm  
 Material: Hardened cold rolled steel  
 Finish: Clear Zinc, Yellow Zinc, Black Electric Dipping  
 Features: 32mm hole system, simple bottom mounting tabs.  
 Application: Shallow desk drawers, Computer keyboard trays and Pull out trays.

Thickness Range

序号	材料厚度
①	1.0
②	1.0



WLT-17005



WLT-17006



WLT-17008



WLT-17001



WLT-17011



WLT-17003  
弹片滑轨 Shrapnel slide



WLT-17004



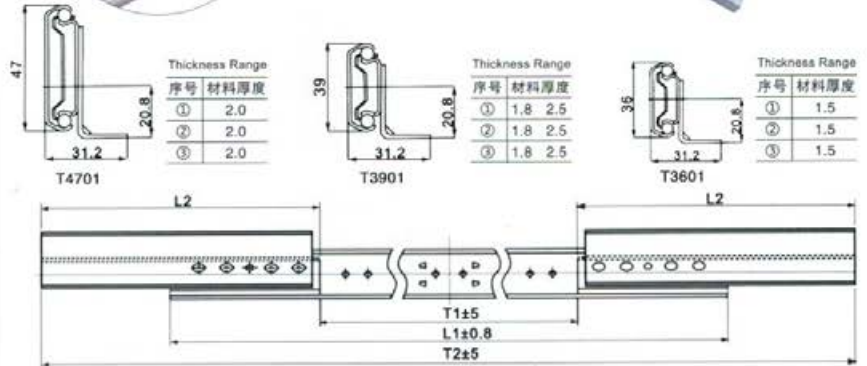
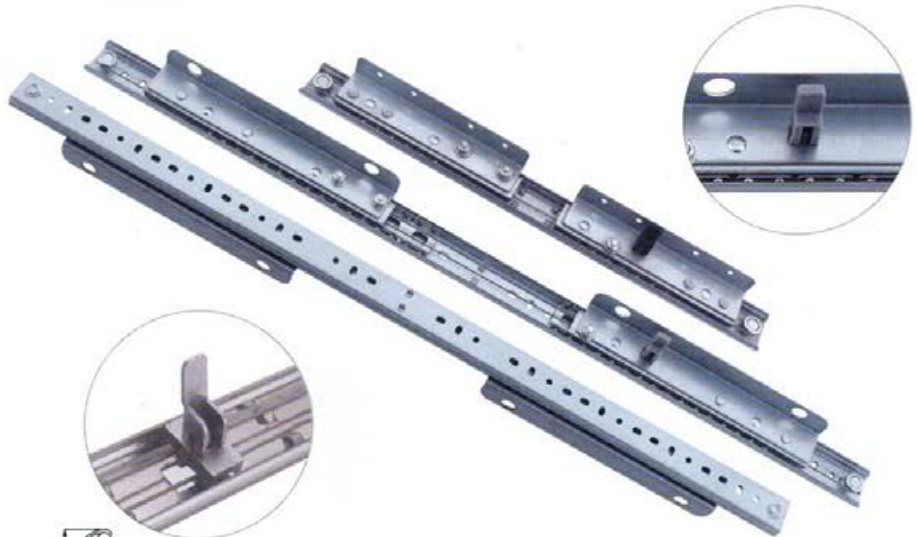
WLT-17007

## WLT-Txx01 双拉餐桌滑轨

## WLT-Txx01 Double Extension Table slide

承 重: 165LBS,75KG  
 尺 寸: 450-1500mm  
 材 质: 冷轧板/镀锌板  
 表面处理: 镀锌、电着黑、彩锌  
 特 点: 可以双向滑动, 不可拆开  
 用 处: 餐桌

Load rating: 165LBS,75KGS  
 Size: 450-1500mm  
 Material: Hardened cold rolled steel  
 Finish: Clear Zinc, Yellow Zinc, Black Electric Dipping  
 Features: Two-way sliding, inseparate.  
 Application: Dinning table



WLT-T0010配件



WLT-T3510



WLT-T35002



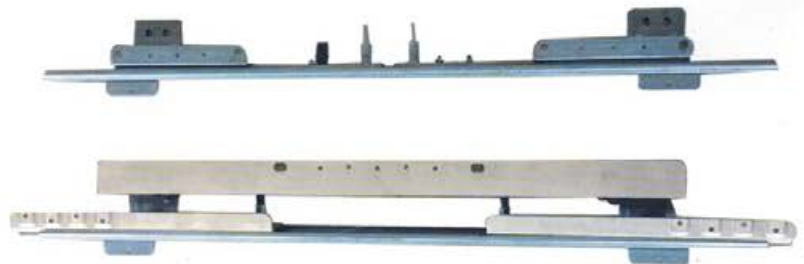
WLT-T35004



WLT-T39001



WLT-T47008

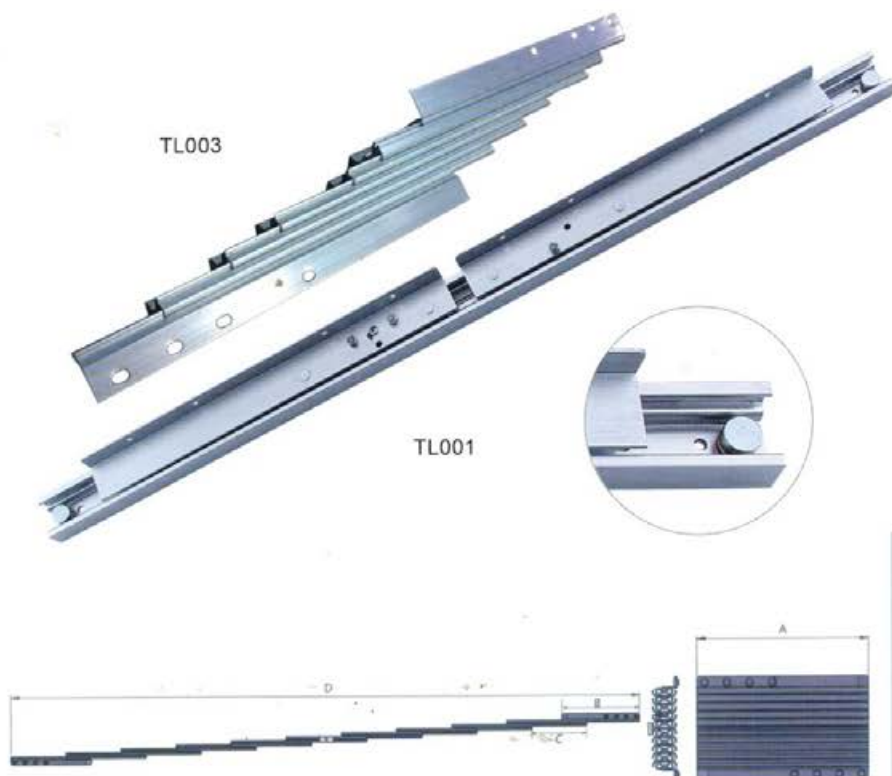


WLT-T47009



WLT-TL003/TL001 铝合金餐台滑轨

WLT-TL003/TL001 Aluminum Alloy Table Slide



拉伸长度: 100%  
 承 重: 50KG(26")  
 尺 寸: 650-2000mm  
 材 质: 铝合金  
 表面处理: 银白色  
 用 处: 适用户外木质、玻璃拉合餐台

Extension: 100%  
 Load rating: 50KG(26")  
 Size: 650-2000mm  
 Material: aluminum alloy  
 Finish: silver white  
 Application: The application of wood and glass table



WLT-TL002



WLT-T4702A



WLT-T4702B



WLT-T47006



WLT-T5335



WLT-T47005

WLT-Txx002 自动升降架

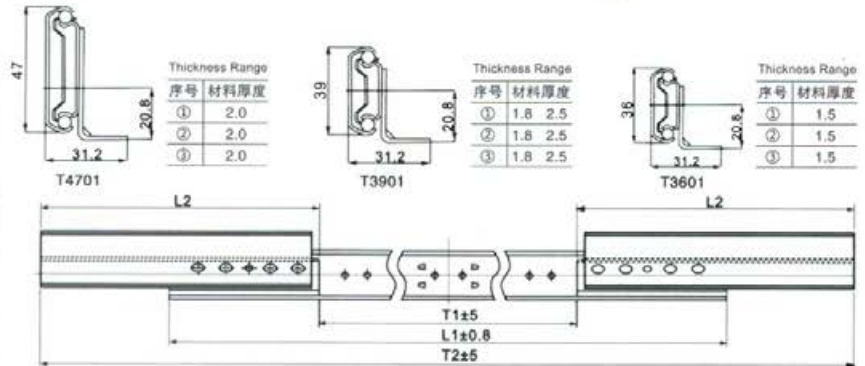
WLT-Txx002 Automatic Lifting & Falling Slide

承 重: 50kg(30")  
尺 寸: 700-1600mm  
材 质: 1.5mm冷板  
表面处理: 电泳、电镀锌层  
特 点: 可以双向滑动, 不可拆开  
用 处: 适用木质、玻璃拉合餐台

Load rating: 50KGS(30")  
Size: 700-1600mm  
Material: 1.5mm cold board  
Finish: Electrophoresis, clear zinc plated  
Features: Two-way sliding, inseparate.  
Application: The application of wood and glass table



WLT-T3510



WLT-T4701



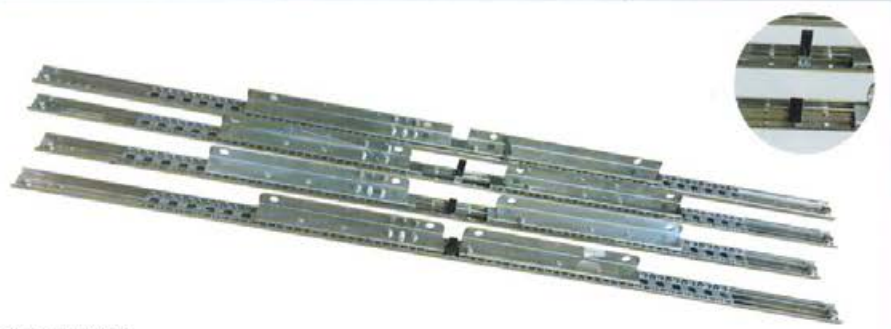
WLT-T47012



WLT-T47013



WLT-T47014



WLT-Txx003



WLT-T47010  
吊臂可调节滑轨 Under surface mounting adjustable slide



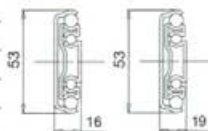


WLT-531902 三节重型滑轨

WLT-531902 Heavy Duty Full Extension Drawer slide

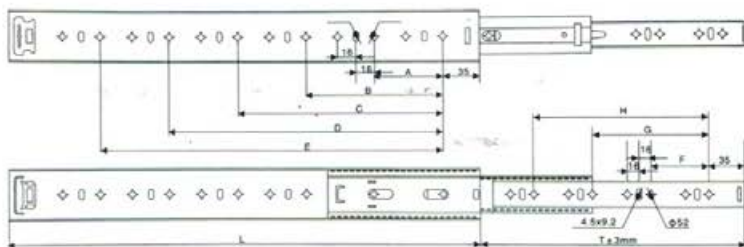
Thickness Range

序号	材料厚度
①	2.0
②	2.0
③	2.0



拉伸长度: 100%或更长  
 承 重: 100KG(20")  
 尺 寸: 250-1000mm  
 材 质: 冷轧板  
 表面处理: 镀锌、电着黑、彩锌  
 特 点: 抽屉和柜壁可分开, 安装方便  
 用 处: 办公家具, 工具箱, 铁柜等

Extension: 100% or over travel  
 Load rating: 100KG(20")  
 Size: 250-1000mm  
 Material: Hardened cold rolled steel  
 Finish: Clear Zinc, Yellow Zinc, Black Electric Dipping  
 Features: Easy drawer disconnected, silenced in and out  
 Application: Office furniture, tool boxes, metal cabinet etc



WLT-20001 全展带缓冲滑轨

WLT-20001 Full Extension Soft-closing slide

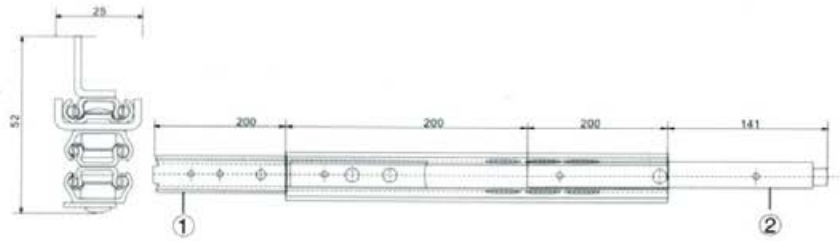
拉伸长度: 100%或加长  
 承 重: 33LBS,15KG  
 尺 寸: 200-500mm  
 材 质: 冷轧板  
 表面处理: 镀锌、电着黑、彩锌  
 特 点: 32mm系列孔位, 可装在抽  
 屉底部  
 用 处: 浅抽屉, 拉式托盘和键盘抽

Extension: 100% or over travel  
 Load rating: 33LBS,15KG  
 Size: 200-500mm  
 Material: Hardened cold rolled steel  
 Finish: Clear Zinc, Yellow Zinc, Black Electric  
 Dipping  
 Features: 32mm hole system, simple  
 bottom mounting tabs.  
 Application: Shallow desk drawers,  
 Computer keyboard trays and Pull out trays.



Thickness Range

序号	材料厚度
①	1.4
②	1.2



WLT-20001-2



WLT-20002



WLT-20003

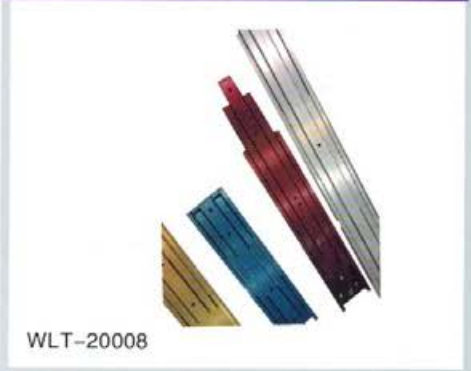


WLT-20006

铝合金滑轨 Aluminum alloy slide



WLT-20007



WLT-20008



WLT-20009



WLT-20005



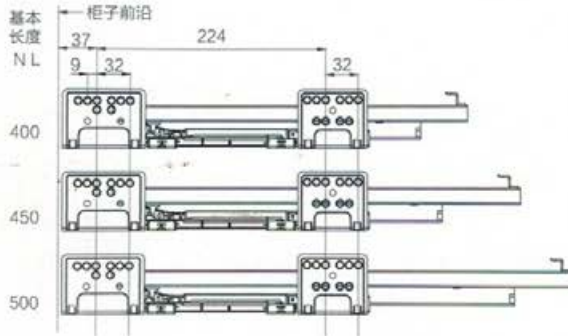
WLT-Y01 三节骑马抽式阻尼隐藏滑轨

WLT-Y01 Full Extension Concealed Soft Slide For Drawer System



材 质: 环保镀锌板  
 开启形式: 全开抽屉  
 尺 寸: 250-600MM  
 安装形式: 抽屉底部(侧装托底)  
 承 重: 35KG(450MM)  
 包 装: 10套/箱  
 用 处: 高档橱柜抽屉, 拉篮抽屉, 浴室柜等

Material: Enviroment-friendly galvanized sheet  
 Size: 250-600MM  
 Installation Type: Undermount  
 Load Rating: 35KG(450MM)  
 Package: 10套/箱  
 Application: Furniture cabinet, wire basket, kitchen, bathroom etc



Thickness Range

序号	材料厚度
①	1.5 1.5
②	2.0 1.8
③	1.5 1.5



WLT-Y05  
 二节隐藏式阻尼滑轨  
 Soft-closing concealed single extension slide



WLT-Y04  
 三节隐藏式反弹滑轨  
 Full Extension Concealed Push-to-open Slide



WLT-Y06  
 三节隐藏式阻尼滑轨  
 Full Extension Concealed soft Slide



WLT-Y01  
 三节骑马抽式阻尼隐藏滑轨  
 Full Extension Concealed Soft Slide For Drawer System



WLT-Y03  
 二节隐藏式反弹滑轨  
 Single Extension Concealed Push-to-open Slide



WLT-Y05  
 二节隐藏式阻尼滑轨  
 Soft-closing concealed single extension slide



WLT-Y02  
 三节隐藏式阻尼滑轨  
 Full Extension Concealed soft Slide



WLT-Y07



**slide**

Manufacturer

# Waliton

领先的品质，铸就信赖，令万利亨通走向世界！

Leading quality, Builds up reliance, Waliton moves toward the world!



惠州市万利亨通五金制品有限公司  
HUIZHOU CITY WALITON HARDWARE PRODUCTS CO. LTD.

地址：广东省惠州市镇隆镇青草窝工业区  
Address: Qingcaowo Industrial Zone, Zhenlong Town,  
Huizhou City, Guangdong Province, China

服务热线 **0752-3958758**

Hotline Counseling  
邮编(P.C.):516227 传真(Fax):0752-3951259  
E-Mail: walitonslide@126.com  
Q Q: 2271031989 362652217  
www.sh-abc.com www.w-slide.com www.waliton.com.cn